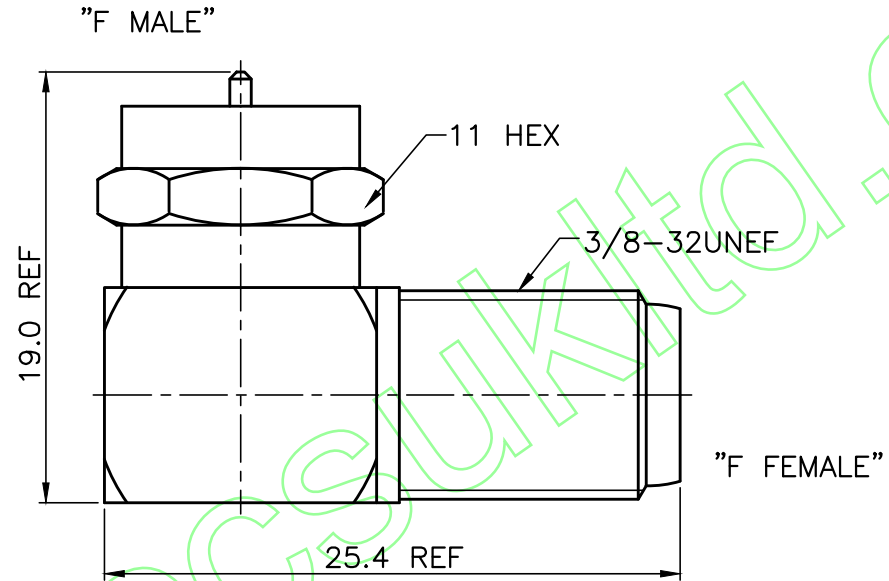


RoHS COMPLIANT



CONNECTORS CABLES



SPECIALISTS LTD.

ISO 9001 certificate

| | | |
|-------|--|---|
| APRD: | | UNLESS OTHERWISE SPECIFIED TOLERANCES 0.5-5 = ±0.2 5-30 = ±0.4 30-120 = ±0.6 120-315 = ±1 |
| CHKD: | | |
| DR: | | |
| | | |

| | |
|-------------------------------------|--------------------|
| CONTACT PIN | BRASS/NICKEL PLATE |
| INSULATOR | DELFIN |
| BODY | BRASS/NICKEL PLATE |
| DESCRIPTION | MATERIAL |
| TITLE: F MALE TO FEMALE RIGHT ANGLE | |
| PART NO: FPJRAA75 | 030 |
| UNIT: mm | SCALE: 3/1 |
| DATE: 92-03-10 | SHEET: 1/1 |